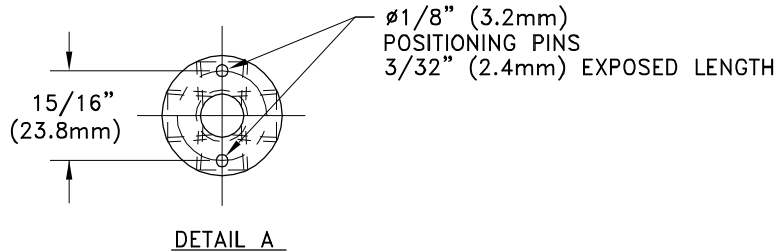
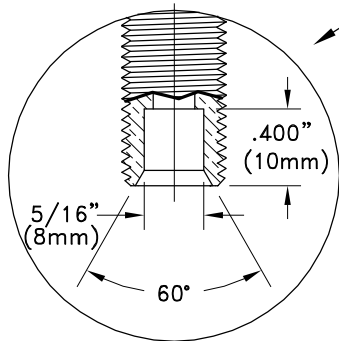
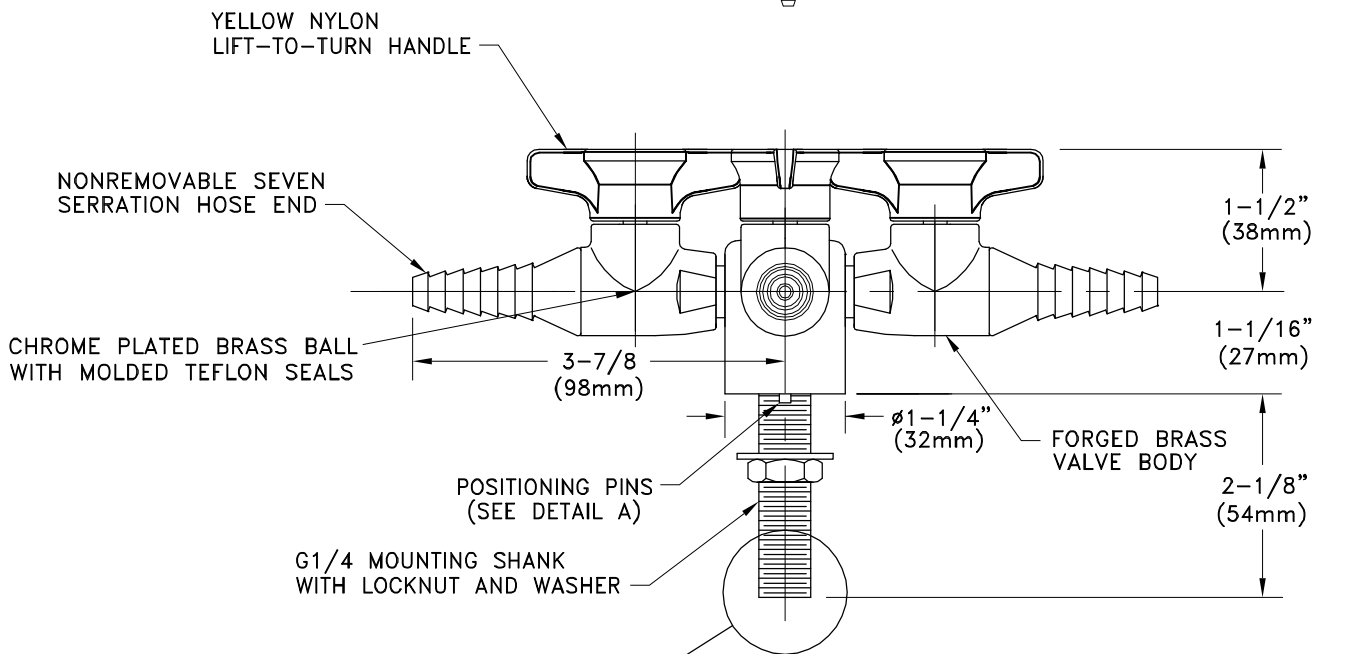
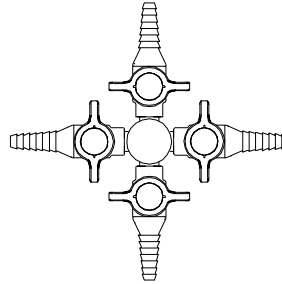


Laboratory Service Fittings by
 WaterSaver Faucet Co.

BT2920-4BM

LABORATORY LIFT/TURN GAS VALVE FITTING, DECK MOUNTED FOUR-WAY



NOTES:

1. FITTING IS FACTORY ASSEMBLED AND TESTED AT 125 PSI (8 BAR). MAXIMUM WORKING PRESSURE IS 75 PSI (5 BAR).
2. FITTING IS FURNISHED WITH COLORTECH WHITE POWDER-COATED FINISH.

MEASUREMENTS MAY VARY ±1/4" (6mm).