

8

7

6

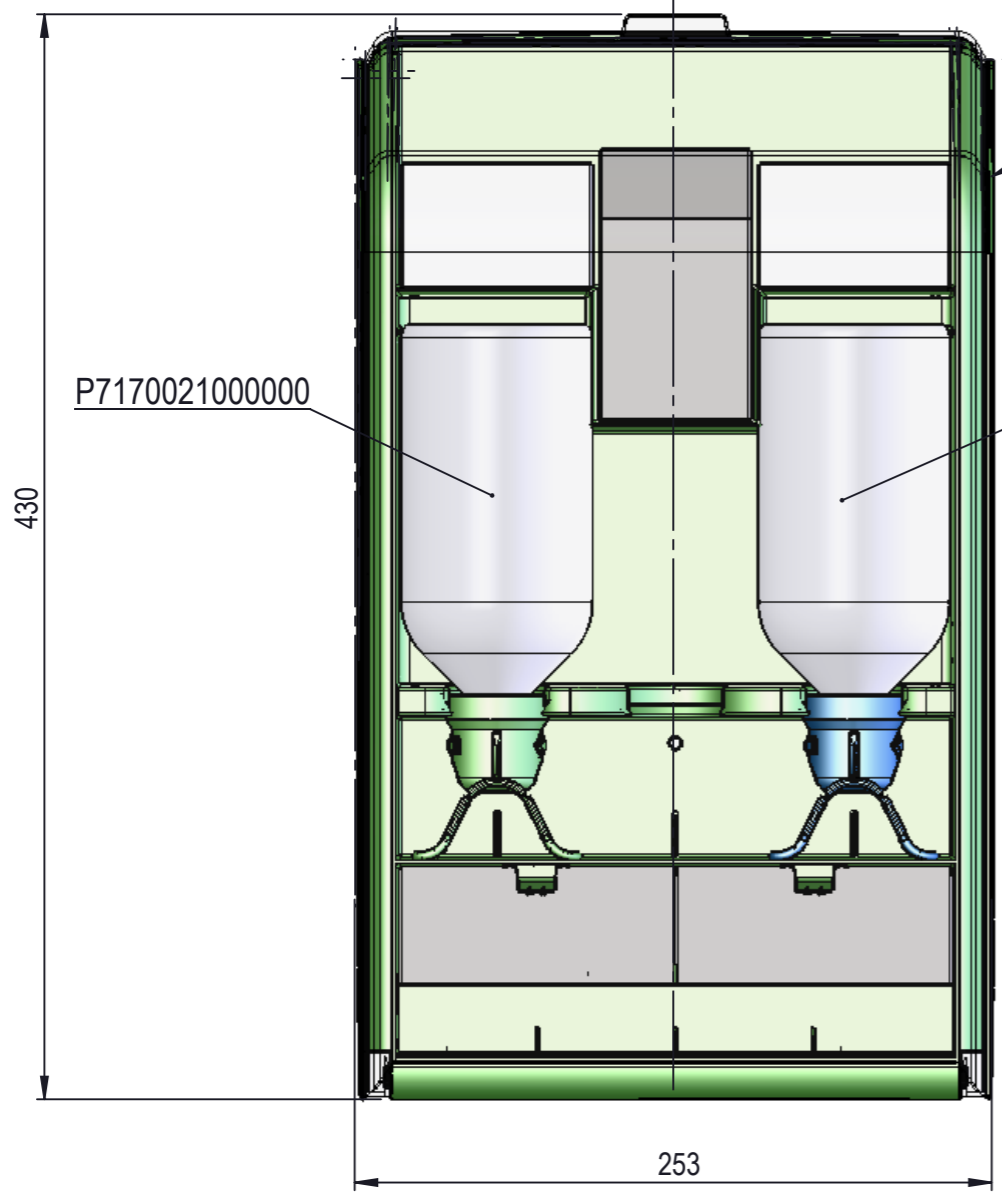
5

4

3

2

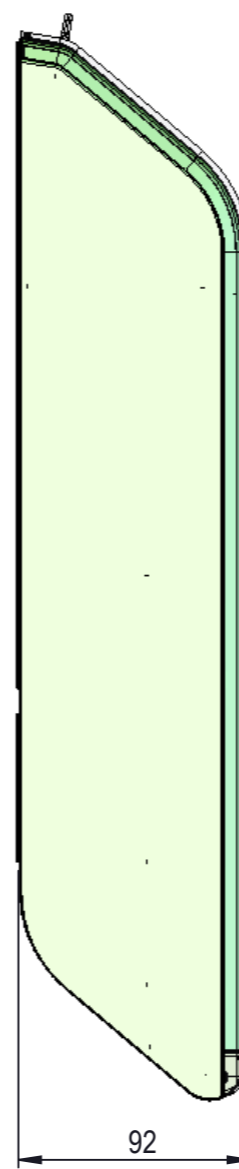
1



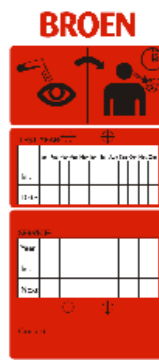
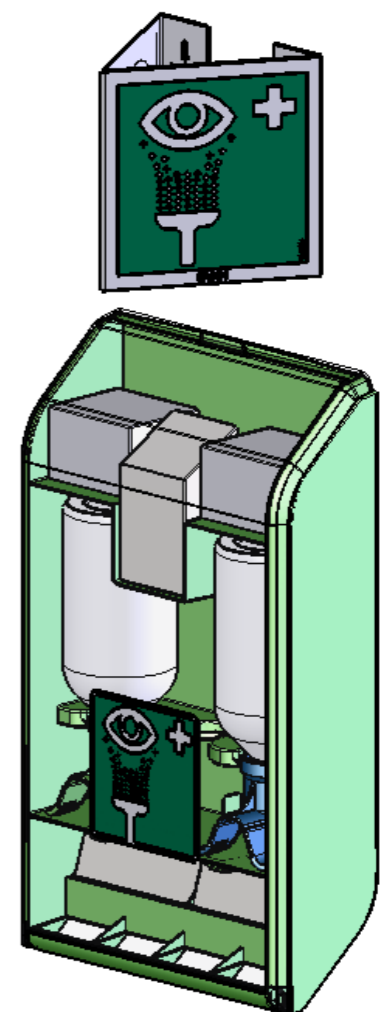
P7330011000402

P7170021000000

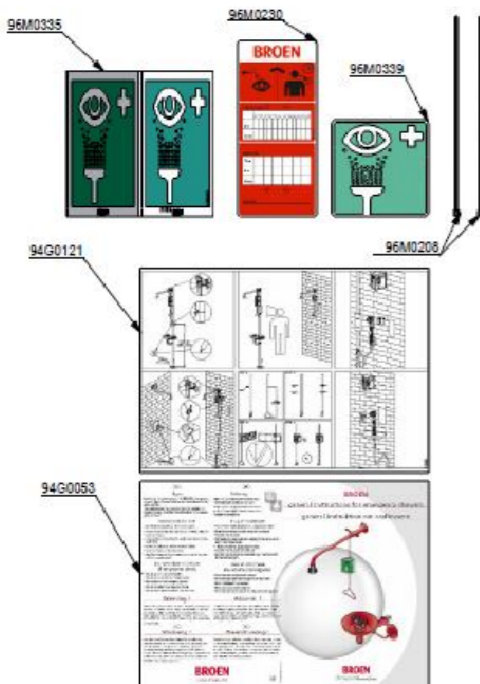
P7170031000000



92



Signs-instructions:
17001970



P7530071000000
Quick clean



P7530061000000
Quick cool



P7530081000000
Quick stop



P7530031000000
Elastic refill (x2)



P7170031000000 (x1)



P7170021000000 (x1)



Description:	Emerg. shower Kit with 2x 500 ml double eye wash
Media:	Water
Material:	
Specification:	
Comments:	
Drawing type:	Customer drawing
Weight:	1.179 Kg
All dimensions made with are inspection dimensions	
Unspecified linear tolerances:	Unspecified angular tolerances:

Rev.	Pos.	Date	TM No.	Design by	Drawn by	Change:
BROEN						
This drawing is our property and cannot be given to a third party, copied or otherwise used without our permission. BROEN A/S. Revision 27-08-2009						

Designed by:	Drawn by:	Released on TM No.	Date:
TKJ	MWA		28-04-14
Format:	Drawing No.:	P7330051000002	
A3			

8

7

6

5

4

3

2

1