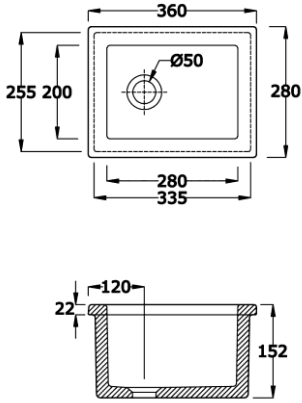
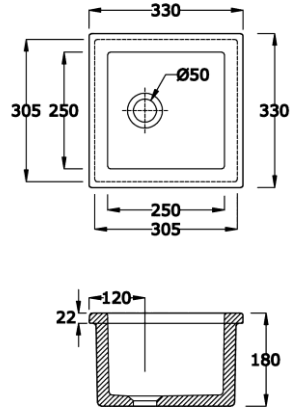


# Fireclay Sinks – Dimensional Details

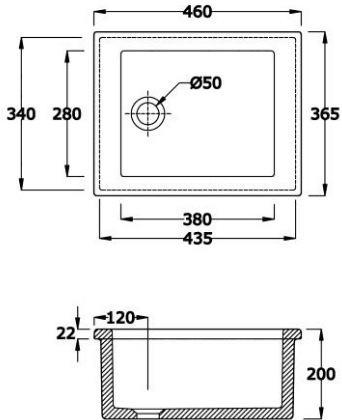
Ref: SU-01



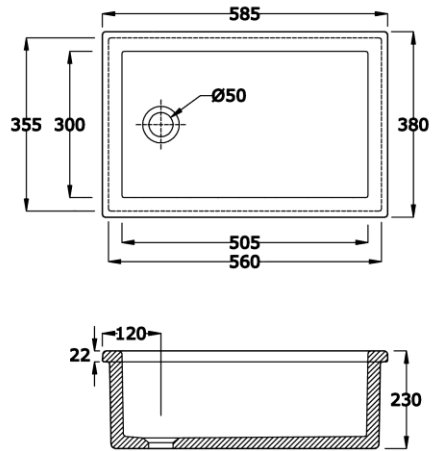
Ref: SU-02



Ref: SU-04



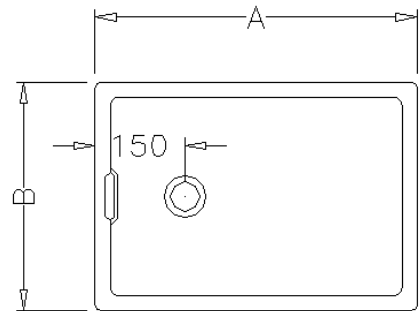
Ref: SU-03



Belfast sinks. Next Page >

### Belfast Sinks Dimensional Details

	A	x	B	x	L
<b>SB-05</b>	460		380		205
<b>SB-07</b>	595		460		250
<b>SB-08</b>	760		460		250
<b>SB-10</b>	<b>915</b>		<b>610</b>		<b>305</b>



#### **Maintenance**

To keep your sinks in perfect condition, rinse clean with mild detergent and avoid all abrasive cleaners.

#### **Installation**

When installing a sink be sure to use the correct legs brackets

and fittings taking in to account weight and the size of the product.

Please phone for bracket and leg details to suit your particular installation

#### **Dimensions**

Because each sink is handcrafted it is unique in size. All nominal dimensions are in mm. Dimensions may vary by +/- 2mm. We recommend that upon delivery of your sink and before installation, you take precise measurements before cutting and fitting of worktops or units.

