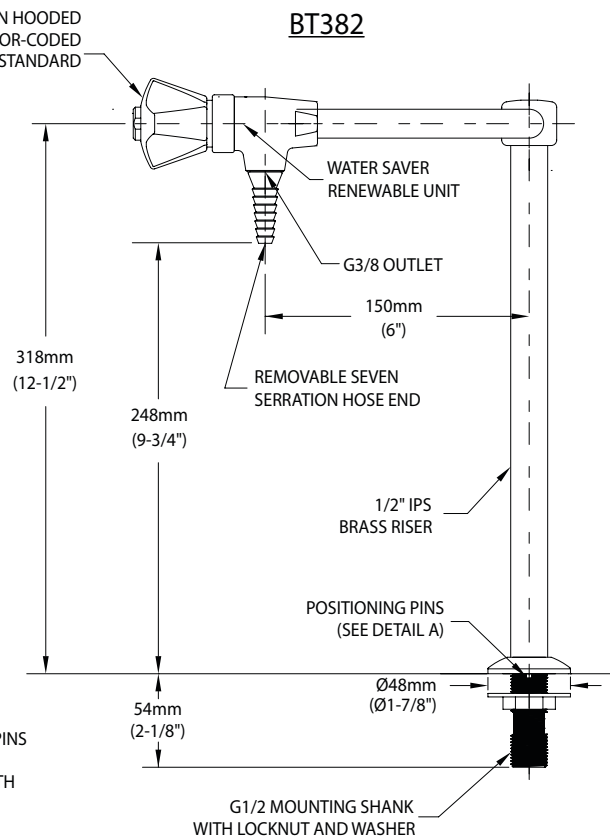
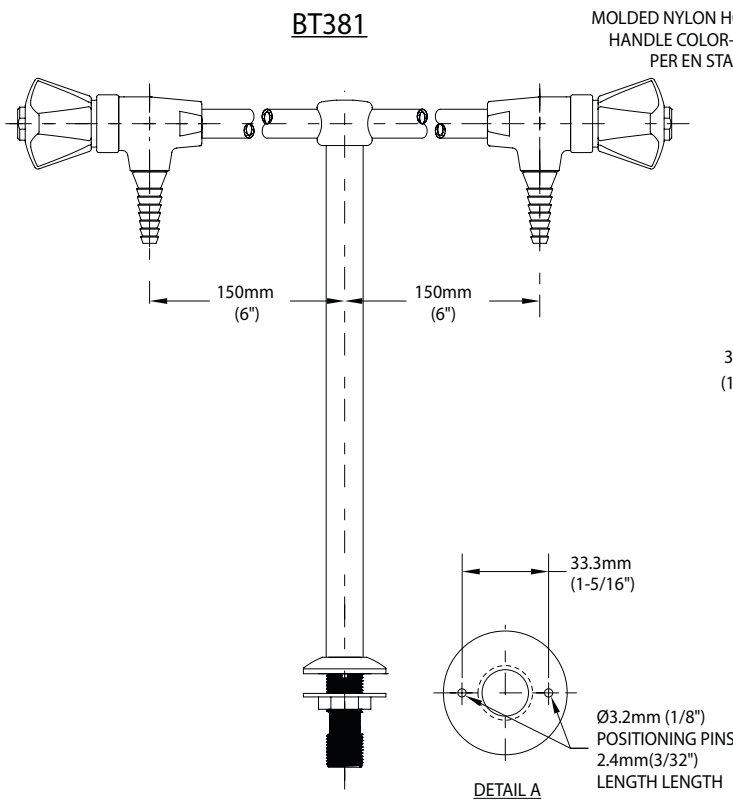
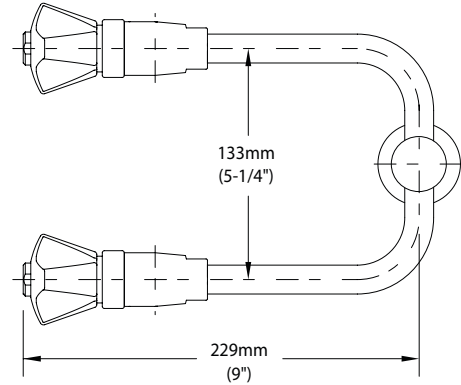
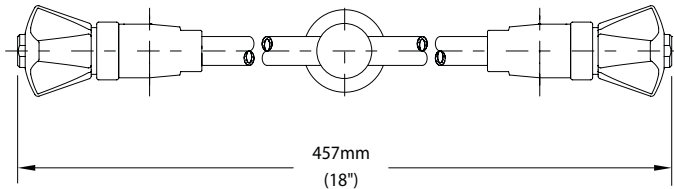


- BT381** Double Water Tap, Bench Mounted, Two Valves at 180°
- BT382** Double Water Tap, Bench Mounted, Two Valves Side-by-Side



- NOTES:**
1. FITTING IS FULLY ASSEMBLED AND FACTORY TESTED PRIOR TO SHIPMENT.
 2. MAXIMUM WORKING PRESSURE IS 10 BAR (150 PSI).

Rev. 052318

THIS SPACE FOR ARCHITECT/ENGINEER APPROVAL

Due to continuing product improvement, the information contained in this document is subject to change without notice. All dimensions are ± 6mm (1/4"). Rev. 052118